



T: +44 (0) 1707 663 883

F: +44 (0) 1707 663 882

W: [www.orlight.com](http://www.orlight.com)



## TD32 Recessed Downlight

Utilizing the most advanced power LEDs from worldwide renowned companies, Ledion Lighting TD32 downlight integrates electrical, optical, and thermal management aspects of LEDs, while at the same time remain slim and compact in size.

TD32 is built specifically to model under limited space where traditional lighting fixtures are too large to fit in.

- Solid State Lighting Technology
- Energy Saving(15W)
- Reduce CO<sub>2</sub> Emission
- Superior Quality Light
- Ecologically Friendly
- Slim and Compact



T: 01707 663 883

F: 01707 663 882

21b Cranborne Industrial Estate, Cranborne Road Potters Bar, EN6 3JN



T: +44 (0) 1707 663 883  
 F: +44 (0) 1707 663 882  
 W: www.ornlight.com

### Dimensions

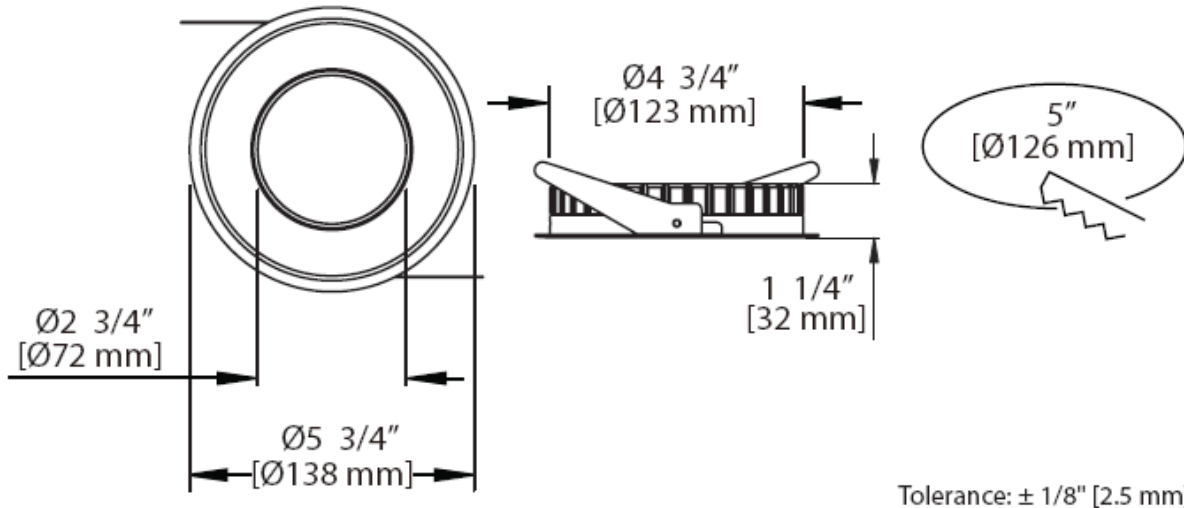


Figure 1: Dimensions for 15W TD32.

### Absolute Maximum Rating

Parameter	Rating	v
Plastic Housing Temperature	80	°C
Operating Temperature	-20 ~ +40	°C
Storage Temperature	-40 ~ +60	°C
Driver Input	DC 700mA / 24V	-
Equilibrium Temperature	55	°C

Table 1: Absolute maximum rating for 15W TD32.



T: 01707 663 883  
 F: 01707 663 882  
 21b Cranborne Industrial Estate, Cranborne Road Potters Bar, EN6 3JN



T: +44 (0) 1707 663 883

F: +44 (0) 1707 663 882

W: www.orklight.com

## Specifications

Parameter	Rating	Units
Power Consumption	15	Wattage
Field Angles	25 / 40 / 60 / 140	Degree
Color Temperature	3000 / 4000 / 6000	K
CRI	80 / 75 / 70	--
Weight	390 ± 5	g

Table 2: Specifications for 15W TD32.

## Illuminance and Field Angles

### • Cool White / Neutral White / Warm White

Power Consumption(W)	Part Number	Field Angles	Lux*@1m (Min.)	Lux*@1m (Typ.)	Lm (Min.)	Lm (Typ.)	CCT(Typ.)
15W	LR-TD32-15210x	25°	5130	6000	680	--	5650~7000K
	LR-TD32-15220x		4270	5000	560	--	3800~4500K
	LR-TD32-15230x		3930	4600	510	--	2670~3050K
	LR-TD32-15410x	40°	2900	3400	680	--	5650~7000K
	LR-TD32-15420x		2390	2800	560	--	3800~4500K
	LR-TD32-15430x		2220	2600	510	--	2670~3050K
	LR-TD32-15610x	60°	550	650	610	--	5650~7000k
	LR-TD32-15620x		460	540	500	--	3800~4500K
	LR-TD32-15630x		410	490	460	--	2670~3050K
	LR-TD32-15010x	140°	--	--	570	670	5650~7000K
	LR-TD32-15020x		--	--	470	550	3800~4500K
	LR-TD32-15030x		--	--	430	500	2670~3050K

Table 2: Illuminance and field angles for 15W TD32

Notes:

1. Lux value is measured under thermal balanced condition. (i.e. after 1 hour continuous operation)
2. LED is a dynamic and constantly evolving technology. The final lux output of your 15W TD32 may vary.
3. Need connect driver = DC 700mA / 24V



T: 01707 663 883

F: 01707 663 882

21b Cranborne Industrial Estate, Cranborne Road Potters Bar, EN6 3JN



T: +44 (0) 1707 663 883  
 F: +44 (0) 1707 663 882  
 W: www.ortlight.com

**Nomenclature**

The following table describes the available colors, and angles.

LR - TD32 - 15 2 1 00  
 X1 X2 X3 X4 X5 X6

X1 SSL Serises	X2 Product name	X3 Wattage
Ledion Recessé	TD32	15 = 15W

X4 Field Angle	X5 Color	X6 Cover
0 = 140° 2 = 25° 4 = 40° 6 = 60°	1 = Cool White 2 = Neutral White 3 = Warm White	00 = White 02 = Silver

Figure 2: Nomenclature for 15W TD32.

**Light Patterns**

The diagrams present the light patterns with respect to different color temperature and angles.

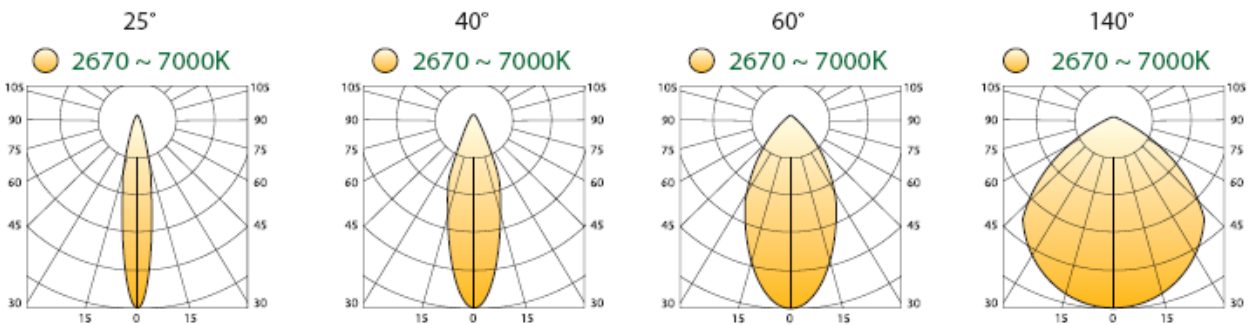


Figure 2: Light patterns of 15W TD32 for different angles



T: 01707 663 883  
 F: 01707 663 882  
 21b Cranborne Industrial Estate, Cranborne Road Potters Bar, EN6 3JN

## Lifetime

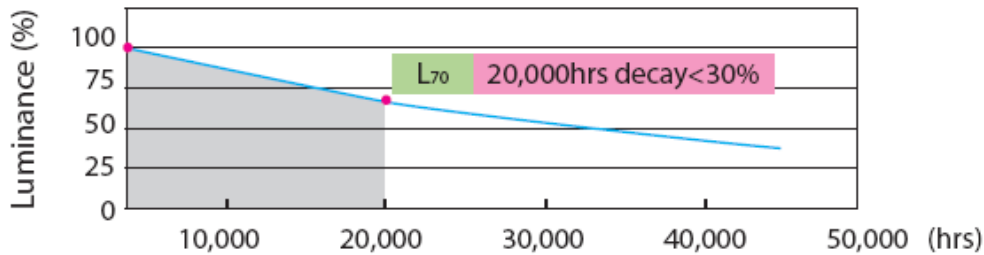


Table 4: Lifetime for 15W TD32.

## Assembly Instructions and Recommended Driver Specification

Input Voltage	Output Voltage	Operating Current (Constant)	Rated Power
AC 100~250V	DC 18~24V	700mA	>16.8W

Table 3: Specification of recommended driver

### • Assembly instructions

1. Connect the 15W TD32 to the DC driver shown as step 1.
2. Plug the driver to AC outlet shown as step 1.

### Caution:

Never plug the driver to AC outlet before the 15W TD32 is properly connected as this damage the LEDs permanently

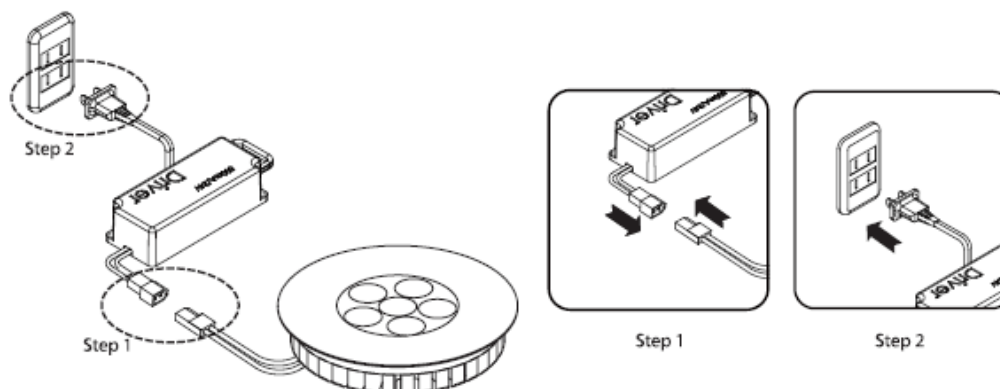


Figure 3: Assembly Instructions For TD32 Recessed Downlight with Driver.



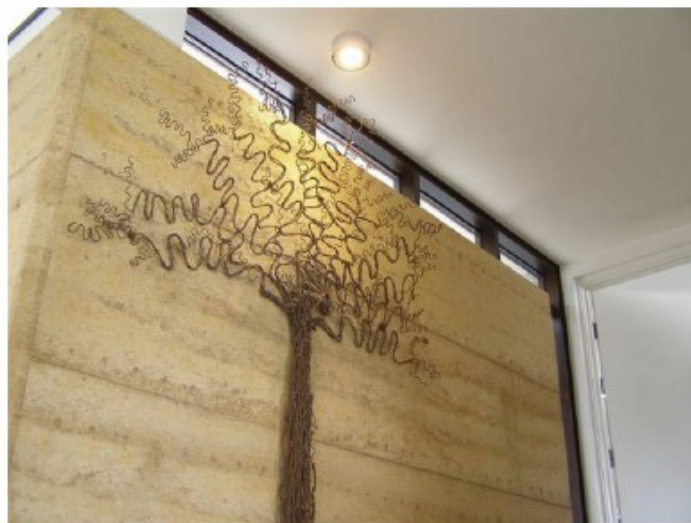
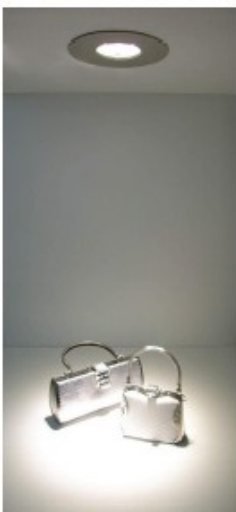
T: +44 (0) 1707 663 883  
F: +44 (0) 1707 663 882  
W: [www.orldight.com](http://www.orldight.com)

### Application Notes

The compact and integral design of the 15W TD32 make it ideal for a wide variety of lighting applications, including retail store spotlight, ceiling downlight, as well as many other accent lightings.



Various color temperature and beam pattern options are suitable for an array of scenarios. 15W TD32 also provides two colors of appearance, silver and white for different needs.



T: 01707 663 883  
F: 01707 663 882  
21b Cranborne Industrial Estate, Cranborne Road Potters Bar, EN6 3JN



T: +44 (0) 1707 663 883  
F: +44 (0) 1707 663 882  
W: [www.orldight.com](http://www.orldight.com)

### Environmentally Friendly

With the increasing demand for energy and the effect on global warming, Ledion Lighting plays a role in preserving the forest by reducing energy consumption, and CO<sub>2</sub> emission one step at a time.

Replacing traditional halogen lamp with Ledion Lighting 15W TD32 lighting application, one can help in reducing global warming by 353.8 kg of CO<sub>2</sub> annually.

#### 15W TD32 VS 120W Incandescent

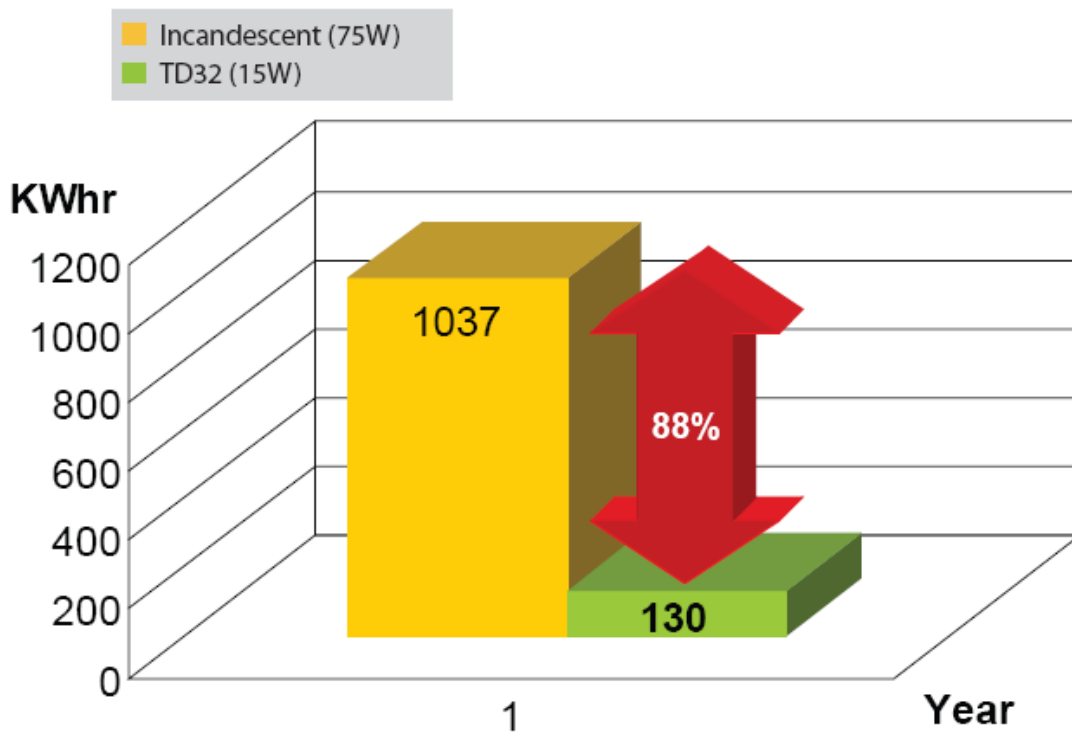
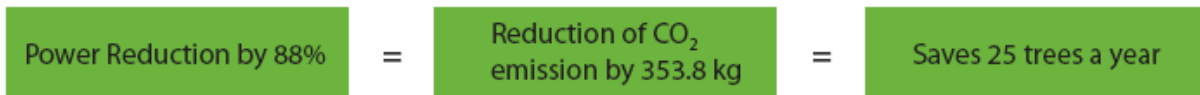


Figure 5: 15W TD32 Environmentally Friendly.  
Note: 1.Calculation based on 24 hours of daily operation.



T: 01707 663 883  
F: 01707 663 882  
21b Cranborne Industrial Estate, Cranborne Road Potters Bar, EN6 3JN



T: +44 (0) 1707 663 883  
 F: +44 (0) 1707 663 882  
 W: www.ornlight.com

**Economical**



**Power Consumption:** 120W  
**Expected Lifetime:** 1,000 hrs



**Power Consumption:** 15W Saving: 907.2 kWh / year  
**Expected Lifetime:** 40,000 hrs

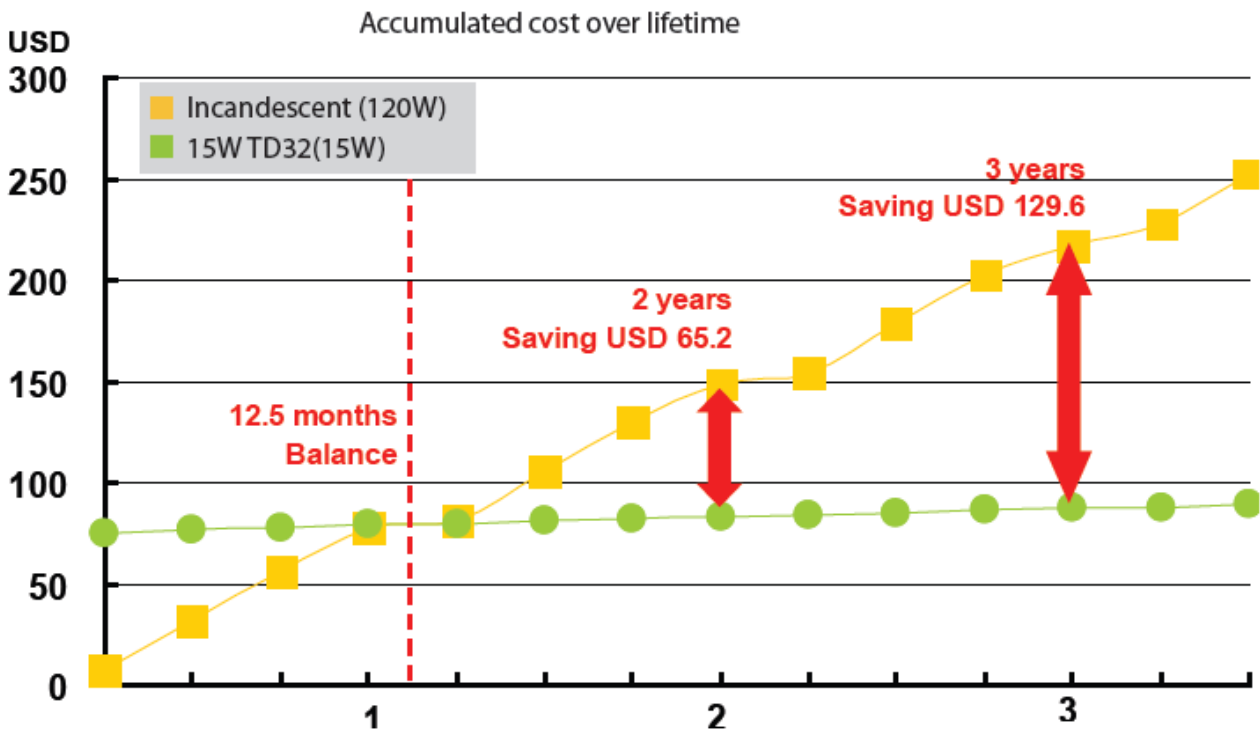


Figure 6 : 15W TD32 VS 120W Incandescent.

Notes : 1. Calculation based on 24 hours of daily operation (€9.41/kWh).  
 2. Cost includes the replacement of 120W Incandescent PAR38.



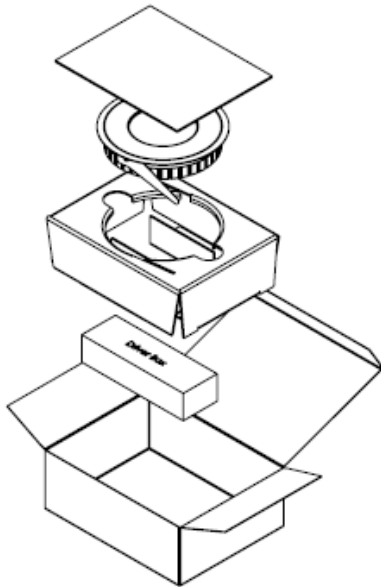
T: 01707 663 883  
 F: 01707 663 882  
 21b Cranborne Industrial Estate, Cranborne Road Potters Bar, EN6 3JN



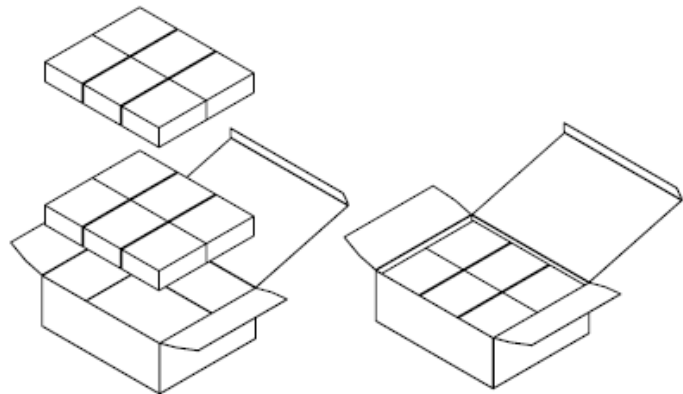
T: +44 (0) 1707 663 883  
F: +44 (0) 1707 663 882  
W: [www.orldight.com](http://www.orldight.com)

### Package Information(Standard)

Note : Interior Box Dimensions : 200mm(length)\*160mm(width)\*800mm(height)  
Exterior Box Dimensions : 520mm(length)\*425mm(width)\*195mm(height)



Interior Box (per each 15W TD32)

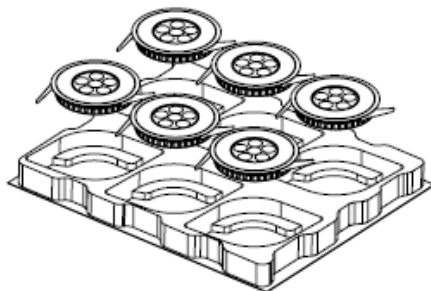


Exterior Box ( 12 Pcs. of 15W TD32)

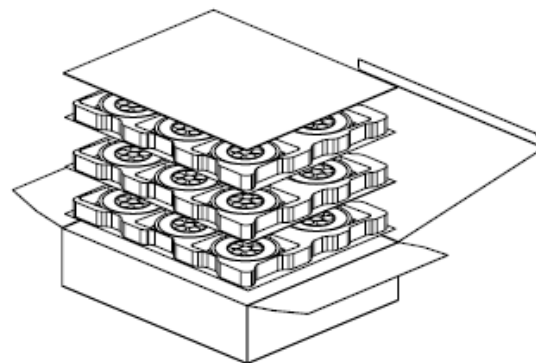
Figure 4: Standard Package for 15W TD32.

### Package Information(Bulk)

Note : Interior Tray Dimensions : 515mm(length)\*415mm(width)\*50mm(height)  
Exterior Box Dimensions : 520mm(length)\*425mm(width)\*195mm(height)



Interior Tray (6 Pcs. of 15W TD32)



Exterior Box ( 18 Pcs. of 15W TD32)

Figure 5: Bulk Package for 15W TD32.



T: 01707 663 883  
F: 01707 663 882

21b Cranborne Industrial Estate, Cranborne Road Potters Bar, EN6 3JN