



T: +44 (0) 1707 663 883  
F: +44 (0) 1707 663 882  
W: [www.orldight.com](http://www.orldight.com)

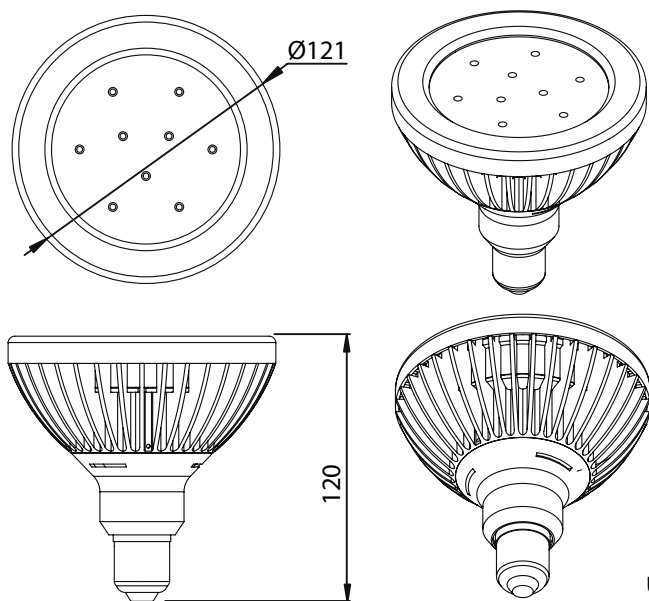
P38 is an exceptionally high performance LED lamp built to last. It is a premium quality solid state lighting product precisely engineered and manufactured with state of the art technologies and materials.

Proprietary driving circuit enables P38 to replace traditional incandescent/halogen lamp, up to 120 Watt, directly without additional modification or transformer.



## ORLPAR38 - 15w LED LAMP

### Dimensions



Unit: mm  
Tolerance:  $\pm 2.5$  mm

### Absolute Maximum Rating

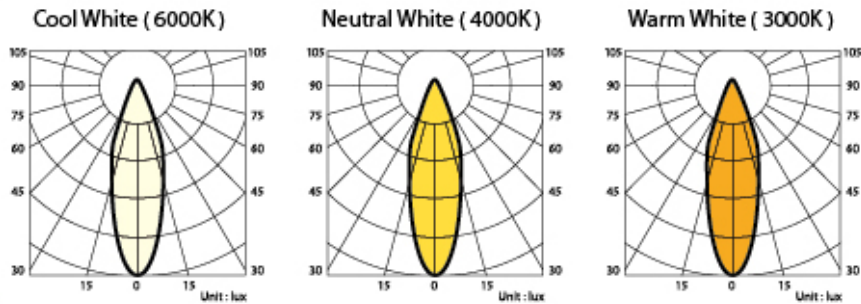
Parameter	Rating	Unit
LED Junction Temperature	125	°C
Aluminum Heat sink Temperature	0°	C
Operating Temperature	30 ~ +40	°C
Storage Temperature	-40 ~ +60	°C
AC Input Voltage	100 ~ 240	V
Equilibrium Temperature	55	°C

### Specifications

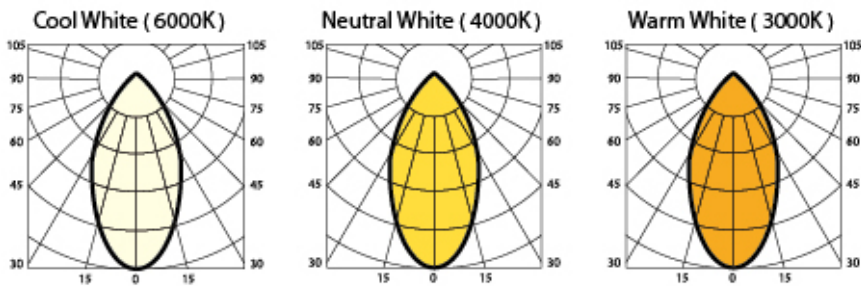
P38 LED Lamp	
Power Consumption	5 Watt
Field Angle	30° /60°
Color Temperature	3000 / 4000 / 6000K
CRI	70/80
Weight	400g
Base	E26 / E27

### Light Patterns

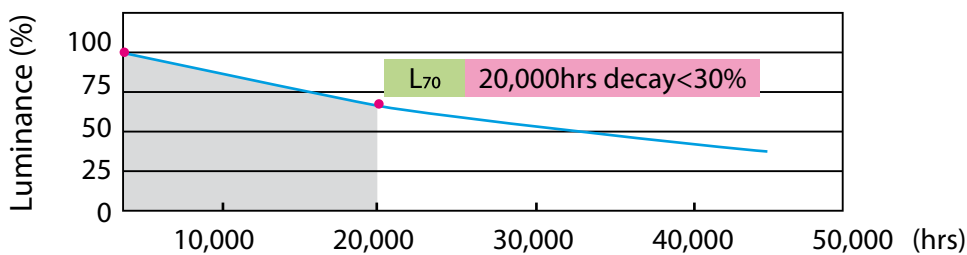
#### • 30°



#### • 60°



### Lifetime





T: +44 (0) 1707 663 883  
F: +44 (0) 1707 663 882  
W: [www.orldight.com](http://www.orldight.com)

## Illuminance and Field Angles

Cool White / Neutral White / Warm White

Part Number	Power Consumption(W)	Field Angle	Lux*@1m (Min.)	Lux*@ 1m (Typ.)	CCT(Typ.)
LB-P38-153100	15W	30°	4500	4930	5650~7000K
LB-P38-153200			3600	4050	3800~4500K
LB-P38-153300			3400	3850	2670~3050K
LB-P38-156100		60°	1250	1400	5650~7000K
LB-P38-156200			950	1100	3800~4500K
LB-P38-156300			850	1000	2670~3050K