

ORLPAR20 with an industry standard E26/E27 base, it can be a great substitution for traditional bulb and save about 80% energy per year. Long duration and stable lighting can easily fit your requirements. It is an ideal solution for hard to reach light fixtures.



ORLPAR20- LED LAMP

Dimensions

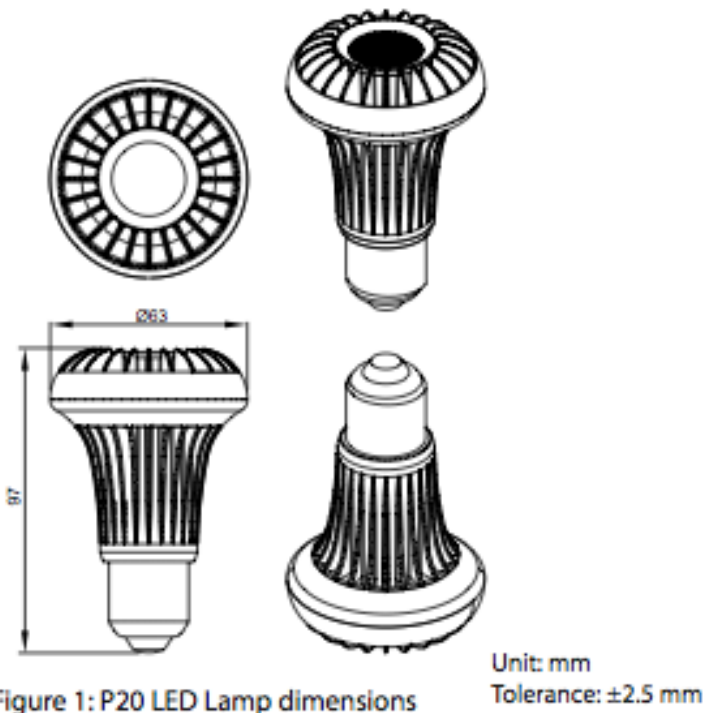


Figure 1: P20 LED Lamp dimensions

Absolute Maximum Rating

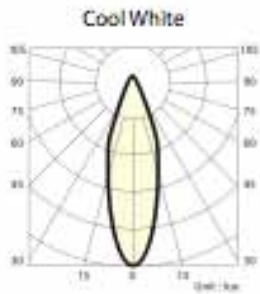
Parameter	Rating	Units
LED Junction Temperature	125	°C
Aluminum Heat sink Temperature	70	°C
Operating Temperature	-20 ~ +40	°C
Storage Temperature	-40 ~ +60	°C
AC Input Voltage	100 ~ 240	V
Equilibrium Temperature	55	°C

Specification

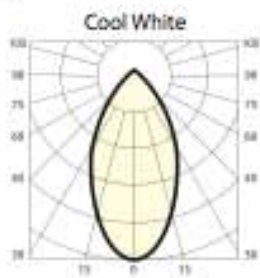
P30-LED Lamp	
Power Consumption	7 Watt
Field Angle	38° / 60°
Color Temperature	Warm White / Cool White
Weight	215g
CRI	70
Base	E26 / E27

Light Patterns

• 38°



• 60°





T: +44 (0) 1707 663 883
F: +44 (0) 1707 663 882
W: www.orient.com

Illuminance and Field Angles

Cool White / Warm White

Part Number	Power Consumption(W)	Field Angle	Lux*@ 1m (Min.)	Lux*@ 1m (Typ.)	CCT(Typ.)
LB-P20-xxxxxx	7W	38°	--	1100	5650~7000K
			--	--	2670~3050K
		60°	--	--	5650~7000K
			--	--	2670~3050K