



T: +44 (0) 1707 663 883  
F: +44 (0) 1707 663 882  
W: [www.orldight.com](http://www.orldight.com)

ORLMR16-LED 3W uses high brightness LED engine which gives a superb illuminance.

It is ideal for the use in tracks, rails, and pendants in exhibit, architectural and residential applications.

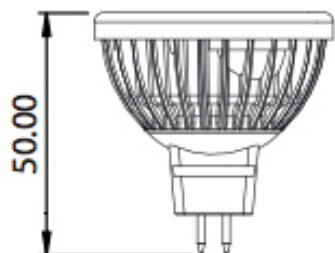
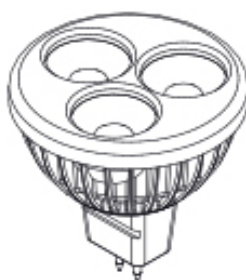
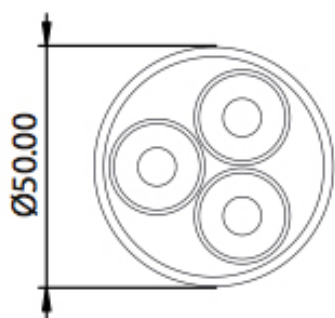
Furthermore, the multi-selection on various colors offers a great experience in decorative and mood lighting applications.

The lamp features standard MR16 bi-pin, which offers an instant replacement in MR16 type fixtures. With a life of more than 25,000 hours, it can be used in hard-to-reach locations to prevent a regular maintenance needs.



## ORLMR16 - LED LAMP

### Dimensions



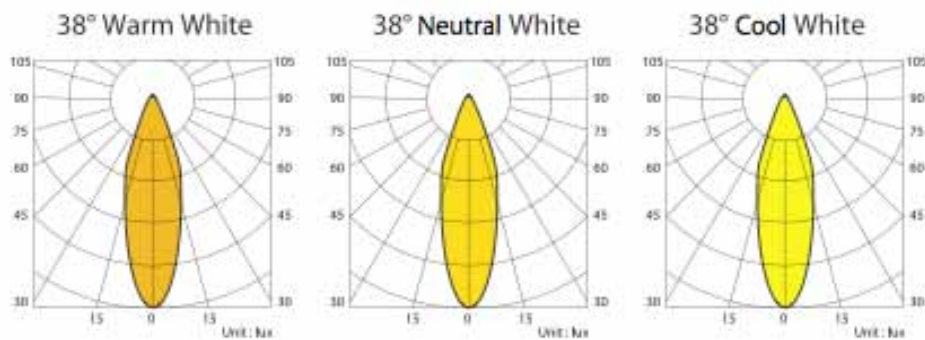
Unit: mm  
Tolerance:  $\pm 2.5$  mm

Figure 1: 3W MR16 dimensions.

### Absolute Maximum Rating

Parameter	Symbol	Rating	Units
LED Junction Temperature	$T_J$	125	°C
Plastic Housing Temperature	$T_c$	65	°C
Operating Temperature	$T_{opr}$	-30 ~ +40	°C
Storage Temperature	$T_{stg}$	-40 ~ +60	°C
AC Input Voltage	V	12	V
Equilibrium Temperature	$T_{eq}$	55	°C

### Light Patterns





T: +44 (0) 1707 663 883  
 F: +44 (0) 1707 663 882  
 W: [www.orldight.com](http://www.orldight.com)

### Illuminance and Field Angles

Cool White / Neutral White / Warm White

Power Consumption	Part Number	CCT(Typ.)	Color Temperature	Field Angle	Lux@ 1m (Min.)	Lux@ 1m (Typ.)
3W	LB-MR16-033100	5650~7000K	Cool White	38°	390 lux	500 lux
	LB-MR16-033200	3800~4500K	Neutral White		350 lux	400 lux
	LB-MR16-033300	2670~3050K	Warm White		350 lux	400 lux

### Illuminance and Field Angles

The following describes the choices of colour temperature, angles, and CRI of 3W MR16 for different demand

Parameter	Rating	Units
Power Consumption	3	W
Filed Angle	38	Degree
Color Temperature	3000/4000/6000	K
CRI	70/80	/
Weight	40±5	g