



T: +44 (0) 1707 663 883
F: +44 (0) 1707 663 882
W: www.orldight.com

ORL GU10 uses high brightness LED engine which gives a superb illuminance.

It is ideal for the use in tracks, rails, and pendants in exhibit, architectural and residential applications.

Furthermore, the multi-selection on various colors offers a great experience in decorative and mood lighting applications.

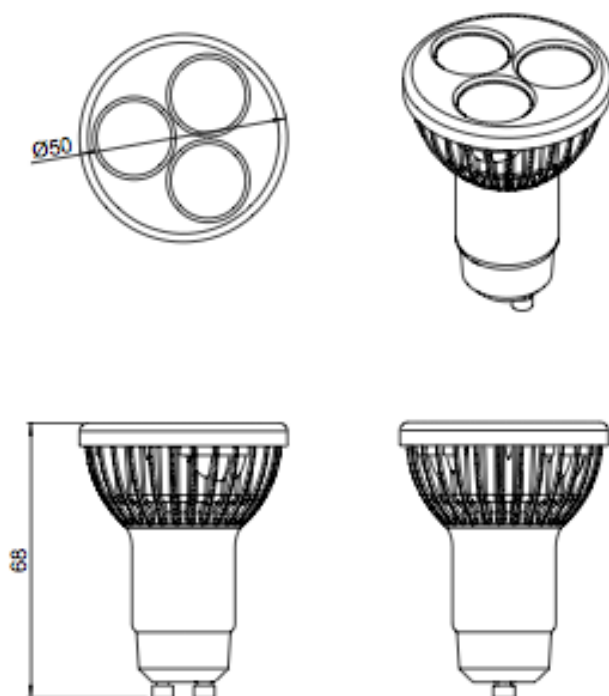
The lamp features standard GU10 bi-pin, which offers an instant replacement in MR16 type fixtures. With a life of more than 25,000 hours, it can be used in hard-to-reach locations to prevent a regular maintenance needs.



ORL GU10- LED LAMP



Dimensions



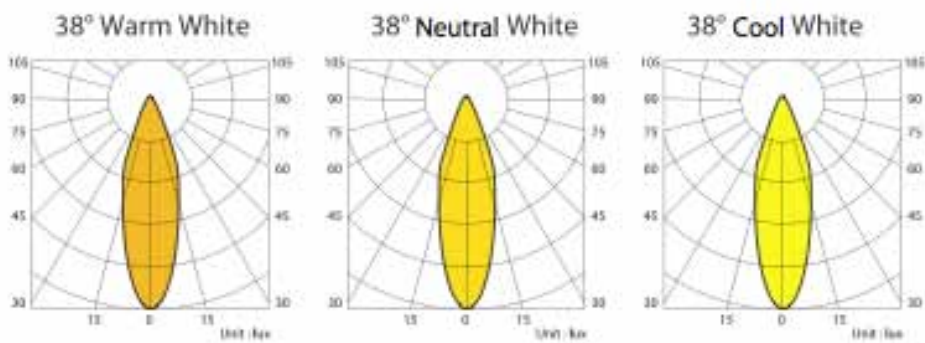
Unit: mm
Tolerance: ± 2.5 mm

Figure 1: 3W GU10 dimensions.

Absolute Maximum Rating

Parameter	Symbol	Rating	Units
LED Junction Temperature	T_J	125	°C
Plastic Housing Temperature	T_c	65	°C
Operating Temperature	T_{opr}	-30 ~ +40	°C
Storage Temperature	T_{stg}	-40 ~ +60	°C
AC Input Voltage	V	12	V
Equilibrium Temperature	T_{eq}	55	°C

Light Patterns





T: +44 (0) 1707 663 883
 F: +44 (0) 1707 663 882
 W: www.orldight.com

Illuminance and Field Angles

Cool White / Neutral White / Warm White

Power Consumption	Part Number	CCT(Typ.)	Color Temperature	Field Angle	Lux@ 1m (Min.)	Lux@ 1m (Typ.)
3W	LB-GU10-033100	5650~7000K	Cool White	38°	390 lux	500 lux
	LB-GU10-033200	3800~4500K	Neutral White		350 lux	400 lux
	LB-GU10-033300	2670~3050K	Warm White		350 lux	400 lux

Table 3: 3W GU10 Illuminance for different colors.

Illuminance and Field Angles

The following describes the choices of colour temperature, angles, and CRI of 3W MR16 for different demand

Parameter	Rating	Units
Power Consumption	3	W
Filed Angle	38	Degree
Color Temperature	3000/4000/6000	K
CRI	70/80	/
Weight	40±5	g