



T: +44 (0) 1707 663 883
F: +44 (0) 1707 663 882
W: www.orlight.com

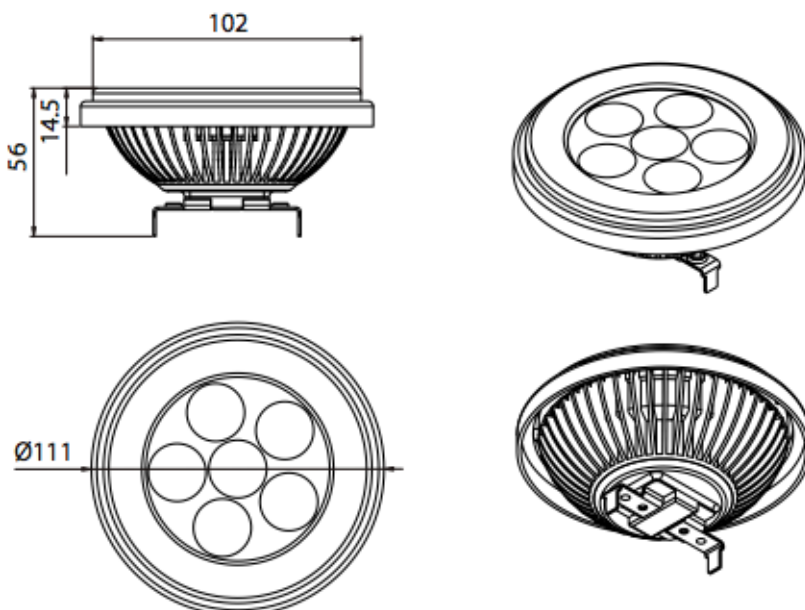
ORLAR111 is an exceptionally high performance retrofit type LED lamp. It is carefully engineered with the most advanced LED innovations and the highest quality components to ensure optimal performance and reliability for years to come.

Proprietary built-in driving circuitry enables ORLAR111 to take the place of traditional halogen lamp, equivalent output up to 75Watt, without additional modifications on your fixtures. An easy and effortless way to experience LED lighting while saving energy consumption and reducing CO2 emission.



ORLAR111 - LED LAMP

Dimensions



Absolute Maximum Rating

Parameter	Rating	Units
LED Junction Temperature	125	°C
Aluminum Heat sink Temperature	70	°C
Operating Temperature	-30 ~ +40	°C
Storage Temperature	-40 ~ +60	°C
Equilibrium Temperature	55	°C

Table 1: AR111 LED Lamp absolute maximum rating

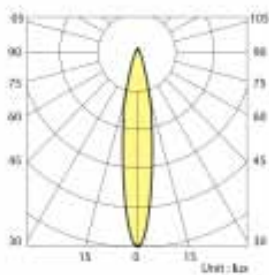
Specifications

AR111 LED Lamp	
Power Consumption	10 Watt
Field Angle	25° / 40°
Color Temperature	3000 / 4000 / 6000K
CRI	70 / 80
Finish	White / Black / Silver
Surface Temperature	60°C
Weight	215g
Input Voltage	AC / DC 12V *

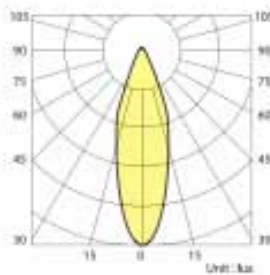
Table 2: AR111 LED Lamp specifications

Light Patterns

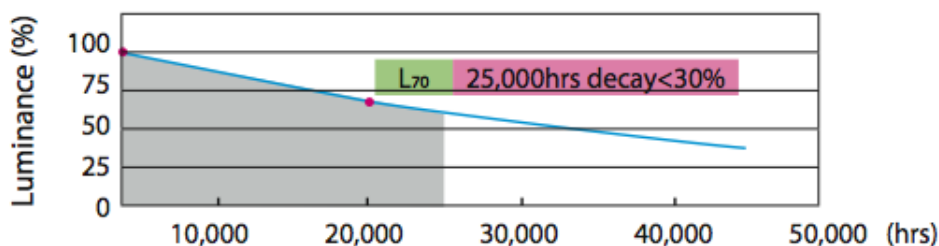
• 25°



• 40°



Lifetime





T: +44 (0) 1707 663 883
F: +44 (0) 1707 663 882
W: www.orldight.com

Illuminance and Field Angles

Cool White / Neutral White / Warm White

Part Number	Power Consumption(W)	Field Angle	Lux*@ 1m (Min.)	Lux*@ 1m (Typ.)	CCT(Typ.)	
LB-AR111-102100	10W	25°	3400	3700	5650~7000K	
LB-AR111-102200			2400	2700	3800~4500K	
LB-AR111-102300			2100	2400	2670~3050K	
LB-AR111-104100		40°		1700	1900	5650~7000K
LB-AR111-104200			1600	1650	3800~4500K	
LB-AR111-104300			1200	1400	2670~3050K	