



T: 01707 663 883 | F: 01707 663 882 | W: www.orient.com

ORL1009/IP441009/1019/IP441019/1119/IP441119/1019SQ/IP441019SQ

Hole Cut out

Orlight does not recommend cutting of holes prior to receipt of product in hand. Please refer to reverse for appropriate fixture for recommended hole cut out.

Wiring

Disconnect the mains supply before installation. Ensure that the unit is installed and maintained by a certified professional and that installation conforms with any local building control standard applicable. Connect the mains supply to the transformer and subsequently connect transformer to the 12V connection provided. Ensure the transformer maintains an adequate distance from the light source to ensure heat dissipation and proper ventilation.

Installation

Disconnect the mains supply before installation. Ensure that the unit is installed and maintained by a certified professional and that installation conforms with any local building control standards applicable. Place outer ring into the ceiling. Insert the lamp within the anti glare baffle and connect to lamp holder. Insert inner ring into its out ring counterpart, which will consequently be held in place magnetically. The inner ring maybe rotated and tilted to direct light as required, depending on fixture type chosen.

Lamp Replacement

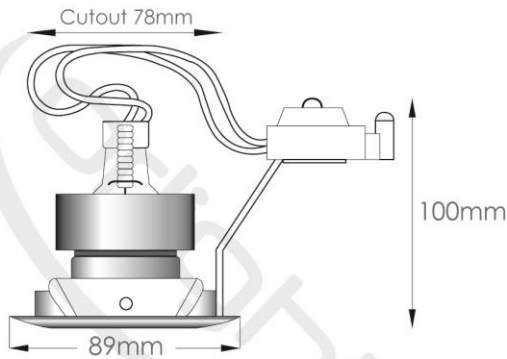
The Orlight magnetic range features the most simple of re-lamping systems. Please ensure to disconnect the mains supply prior to re-lamping. Grasp and pull the inner ring to separate from the main body of the fixture. Gently lower the inner component of the fixture, proceed to remove the existing lamp from its lampholder and dispose of appropriately. Insert the replacement lamp into the lampholder and gently place the inner ring into the main frame of the fixture. This will be held in magnetically.

Accessories

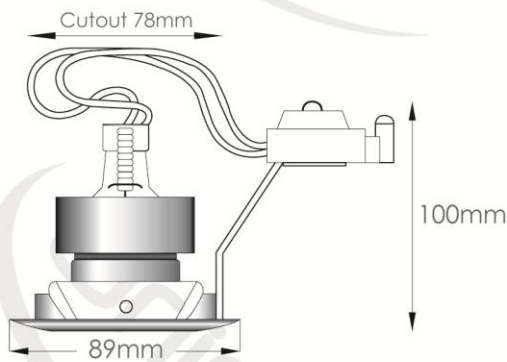
Please ensure that any accessory such as firehoods used in conjunction with these products is approved by Orlight. Failure to do so will void any product guarantee. Orlight will not be held responsible for any loss incurred be it direct or consequential.

* Please note, all information contained within this instruction manual is provided in good faith. We will not be held responsible for any losses incurred as a result of any inaccuracies contained within this document.

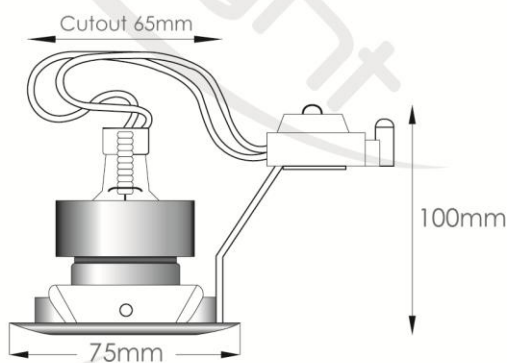
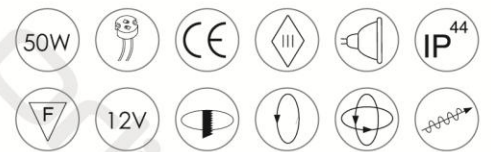
DIMENSIONS



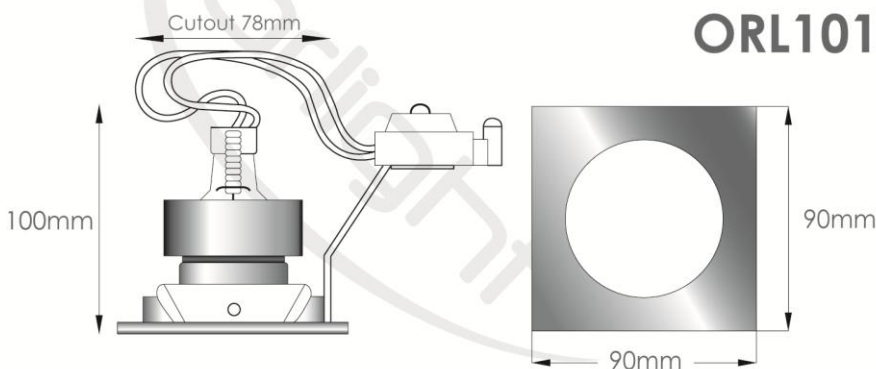
ORL1009 / ORLIP441009



ORL1019 / ORLIP441019



ORL1119 / ORLIP441119



ORL1019SQ / ORLIP441019SQ

